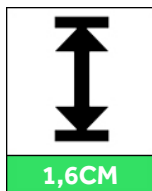
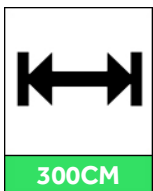
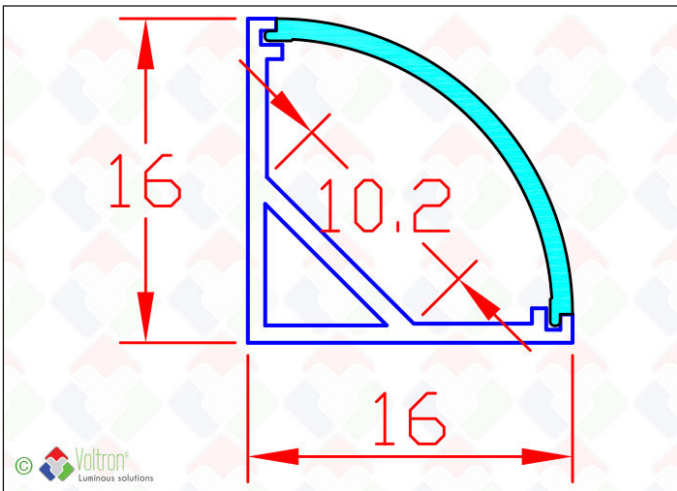


Led aluminum profiles



PF-45-MI-V2

VOLTRON® single aluminum LED angle profiles 45°. All profiles are anodised as standard and are always supplied as a set. 1 set = 1 aluminum profile, 1 opal cover UV resistant, 1 bag with accessories (3 side covers on the left, 3 side cover on the right and 6 back clips for quick mounting). The cover is UV resistant and has a flammability factor of UL94V-2. Type PF-45 : H = 18,5mm - W = 18,5mm - L = 3000mm - ALU = 6063 T-5. Version V2 where the front is provided with a partly cover (higher cooling capacity).



Technical data

Productnumber	Barcode	Height	Length	Width
PF-45-MI-V2	LH-1430	1,6CM	300CM	1,6CM
Diameter	Finishing color	UL94	Aluminum	Packed per
-	Anodized	UL94V-2	6063-T5	1
Full package				
25				

Specification text*

Aluminum LED profile with a length of 3 meters, a width of 1.6 cm and a height of 1.6 cm. Equipped with opal cover plate and supplied with a set of 3 left, 3 right end caps and 6 back clips to lock these profiles. Aluminum is anodized. The cover is UV resistant and has a flammability factor of UL94V-2.

* Available on the website

Areas of application

For use with LED strips / Mounting in walls and ceilings / Surface-mounted on ceiling / Surface-mounted on walls / Always degrease the profile before sticking the LED strips

Extra information

All information, specification texts, photos, technical drawings, connection diagrams, photometric .LDT files can be found via this clickable direct link: https://www.voltron-lighting.com/product/EN/46/1430/Led_aluminum_profiles--PF-45-MI-V2 or can be requested through your contact person.

Direct link website



Product barcode



The Voltron® name and logo as well as product names are part of the Voltron® Lighting Group and are protected by national and international laws.

The usage rights, reproduction rights as well as the intellectual rights are the exclusive property of the Voltron® Lighting Group.

Voltron® pays a lot of attention to the correctness and completeness of the information. However, it cannot be held responsible for any inaccuracy and / or omission. All images and texts are protected under copyright law and may not be used or multiplied without express permission.